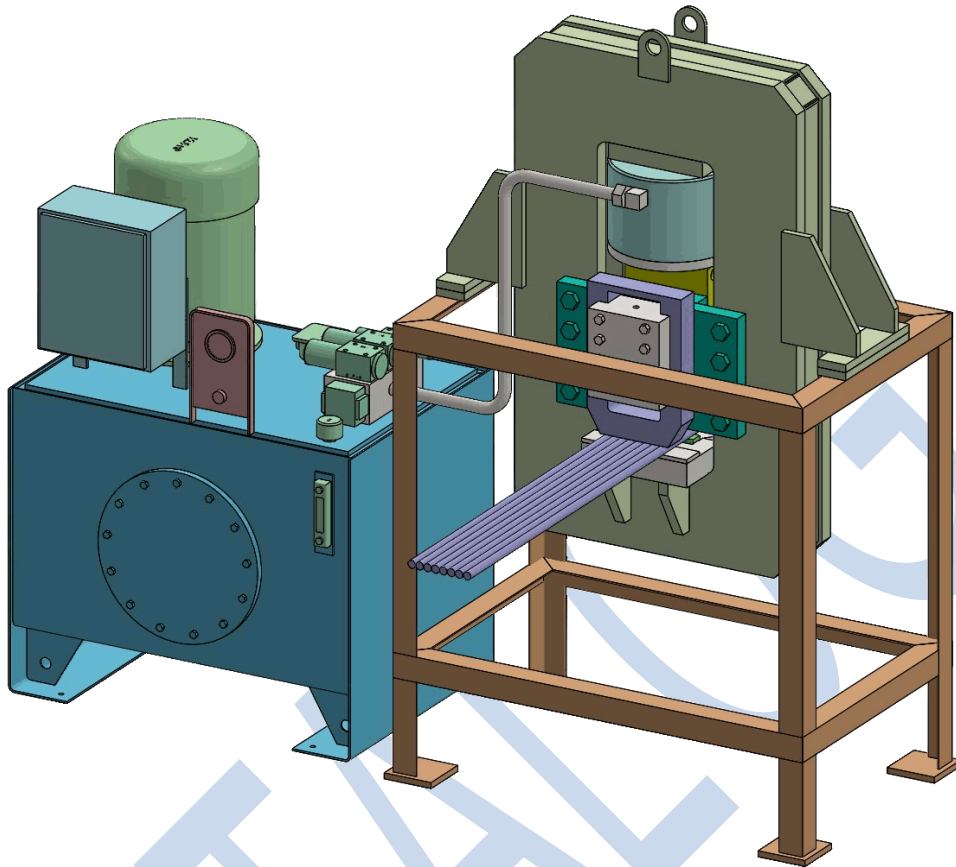


HEAVY-DUTY REBAR CUTTING STATION



- RING FRAME DESIGN HEAVY DUTY REBAR CUTTING STATION, TYPICALLY SUITABLE TO BUILD SHEAR LINES
- HYDRAULIC CLAMP TO IMPROVE CUTTING ACTION AND BLADE LIFE
- BAR CUTTING CAPACITY: 40/36SIZE X 1 BAR, 32SIZE X 2BARS, 25SIZE X 3BARS, 20SIZE X 5BARS, 16SIZE X 8BARS, 12SIZ X 13BARS
- PRODUCTION ESTIMATE: 40T PER SHIFT
- ELECTRO-HYDRAULIC DRIVE WITH STANDARD HYDRAULIC ELEMENTS, ROBUST AND RELIABLE
- POWER TRANSMISSION: 10KW ELECTRIC MOTOR
- FOOT PRINT (MM): 2100 X 750 HEIGHT: 1800 WEIGHT 1.4T

NOTES

- PRODUCTION ESTIMATE IS INDICATIVE ONLY, CONSIDERING A TYPICAL SHEAR LINE INSTALLATION
- BAR CUTTING CAPACITY DIRECTLY RELATED TO MATERIAL UTS-MAX 580 N/MM SQ, ENSURE GOOD QUALITY BARS

Specifications Subject to Change without Notice



**CONSOLIDATED
MACHINES**

HYDRAULICS • HYDRO-PNEUMATICS
CONSTRUCTION EQUIPMENT

H-137 Ansa Industrial Estate, Sakivihar Road. Mumbai 400 072 India. Tel: +91-22-2847 0036 / 2851 8625
Mob : +91 98200 77035 / 98200 79035 / 92465 68775

consolidatedmachines@gmail.com <http://www.consolidatedmachines.net> <http://www.rebarindia.com>